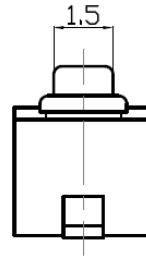
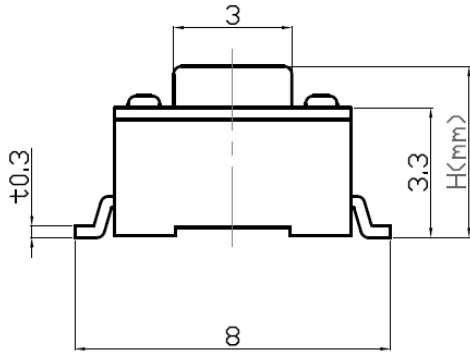
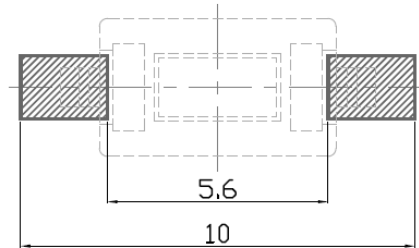
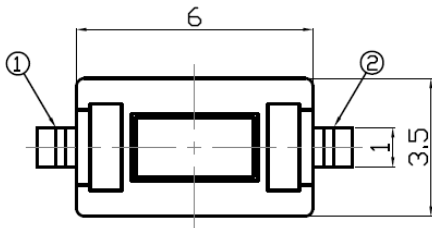


DIMENSIONS

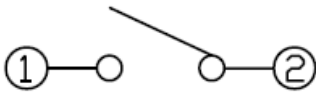


P.C.B MOUNTING PATTERN DIMENSION

The following soldering patterns are recommended for reflow soldering



CIRCUIT DIAGRAM



1. OPERATING FORCE : 180±30gf-(N)

250±50gf-(R)

2. TRAVEL : 0.25±0.1 mm

3. CONTACT RESISTANCE : 100mΩ MAX

4. RATING : DC 12V 50mA MAX

5. OPERATING LIFE : 50,000 Cycles Min for 180gf  
30,000 Cycles Min for 250gf

6.CIRCUIT : 1C-1P

		5	Terminal	Brass	C2680R	1
		4	Case	LCP		1
		3	Cover	Brass	C2680	1
B	5.0	2	Stem	LCP		1
A	4.3	1	Contact	Stainless Steel	SUS301	1
H	mm	NO	Part Name	Material	Specification	QTY

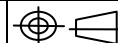


銓基電子股份有限公司  
ROKI ELECTRONICS CO., LTD.

PART NAME : TACT SWITCH

PART NO : TS05ML-□□-S1-PF

TOLERANCE : ±0.3 mm



SCALE :

UNIT : mm

VER : R02